

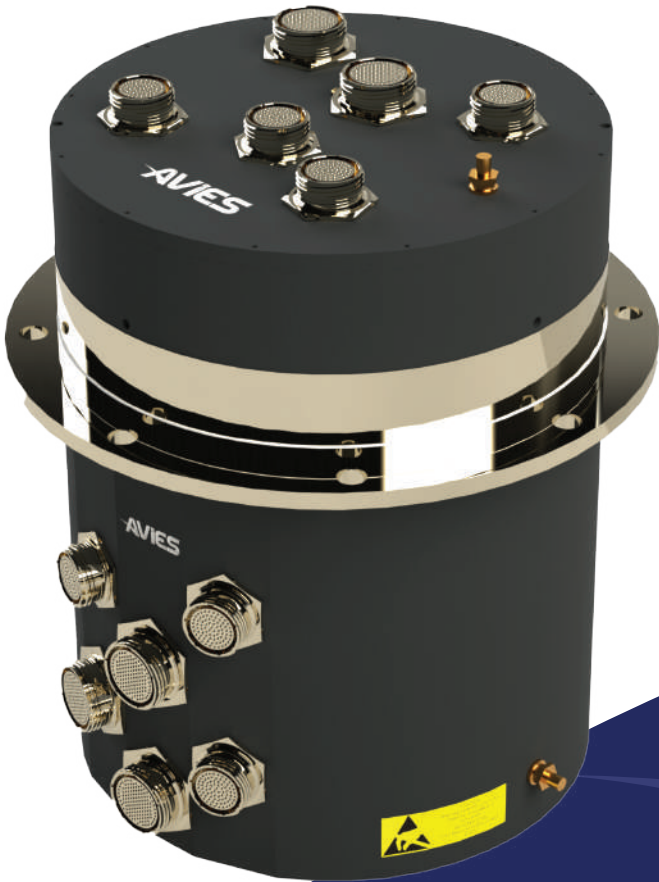


SRU

Slip Ring

Military Grade
Reliable Data & Power Transfer
High Vibration Strength

An electromechanical equipment that
enables continuous power and data transmission
between static and rotary parts of a
rotating 360° system.



Teknopark Ankara 
1368. Cadde, No:61/33
Yenimahalle / ANKARA / TÜRKİYE
+90 312 870 10 40 
info@avies.com 



It is an electromechanical part that enables continuous power and data transmission between static and rotary parts of a rotating 360° system.

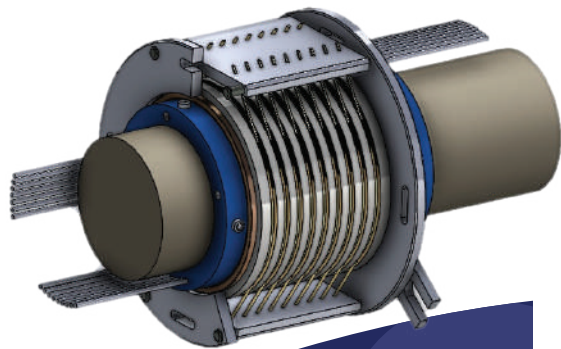
Slip rings are widely used not only in military systems but also in commercial applications as medical, energy and production systems.

Application Areas

- Electro-Optical Surveillance, Tracking and Targeting Systems
- Radar Systems
- Land Weapons Systems
- Commander And Sniper Periscopes
- Wind Turbines and Medical Systems
- Security Cameras

Technical Specifications

Dimensions:	Ø240mm x 300 mm
Rotating Speed:	30 rpm
# of Channels:	109 (54 Power, 55 Data)
Power Channels:	6x25A, 3x12A, 17x10A, 28x3A
Data Channels:	Ethernet (100Mbps), RS-422, CAN Bus, Discrete)
Interface:	12 x D38999
Connectors:	6x rotor, 6x stator
Operating Temp:	-40°C / +65°C
Qualification:	MIL-STD-810G
Sealing:	IP65



Specifications are subject to change without any notice. | All tolerances are within ±10%.